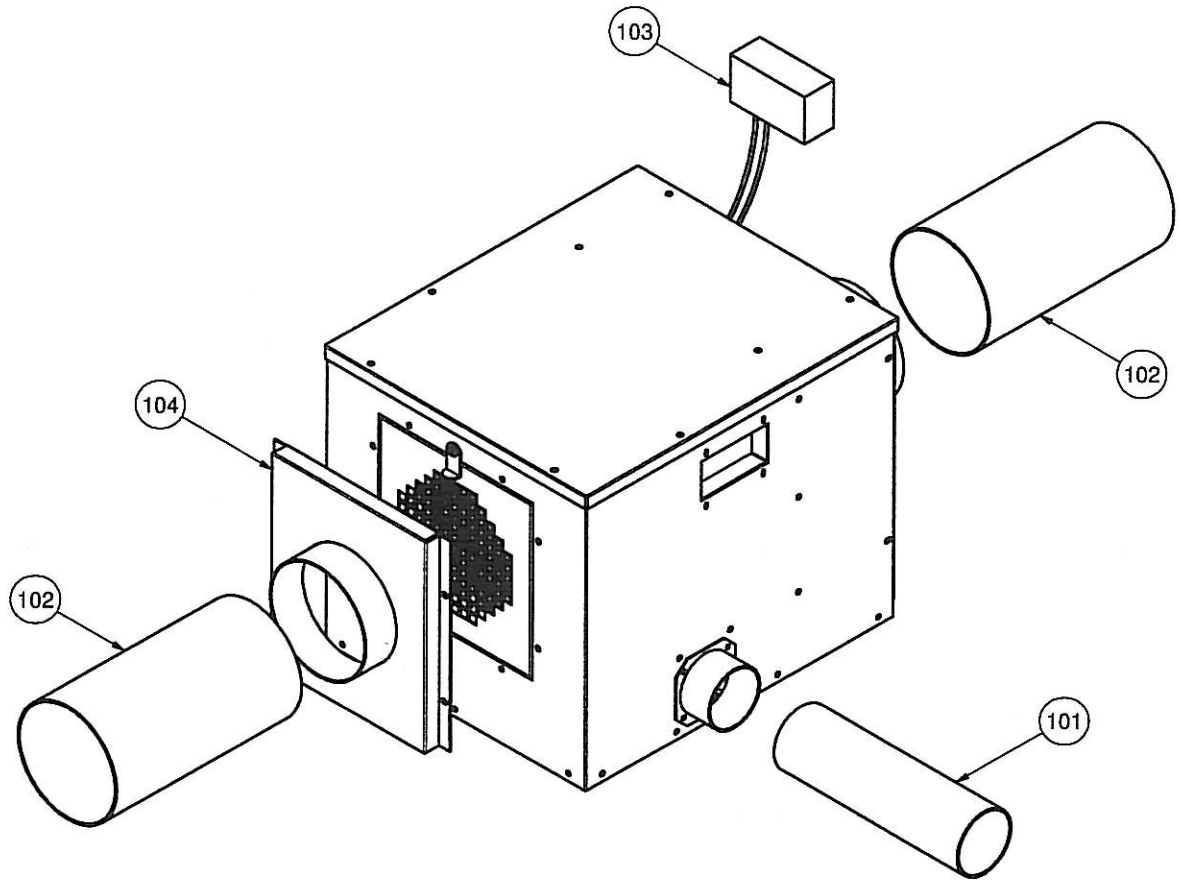
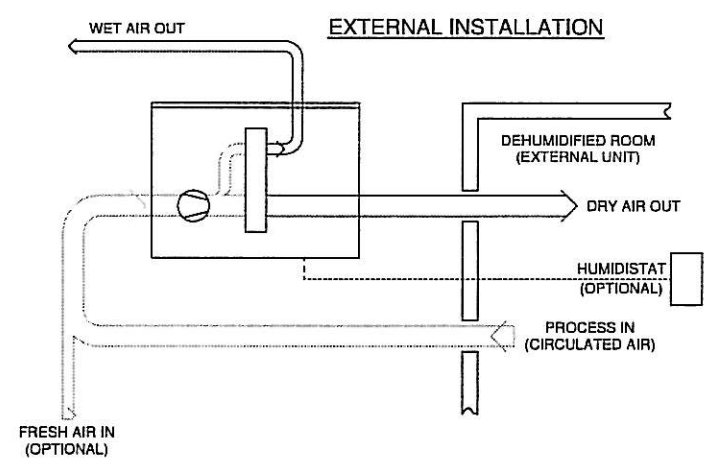
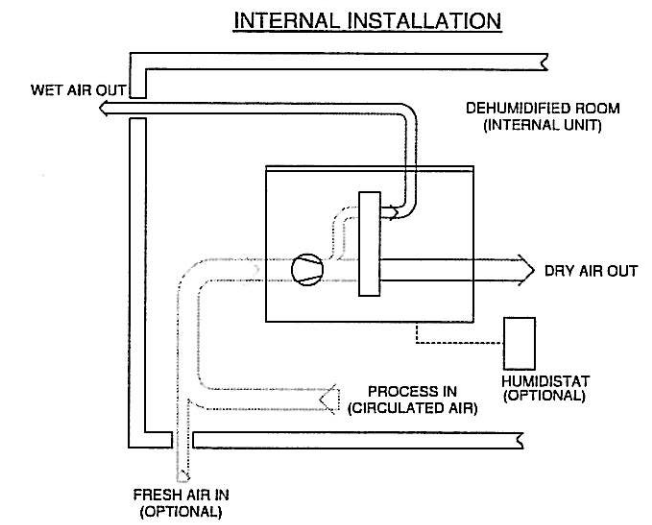

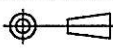


ISS.	DATE	COMMENTS
1	22/11/10	ORIGINAL
2	04/08/14	INSTALLATION SHEET ADDED - WDA



Parts List			
ITEM	QTY	PART NUMBER	DESCRIPTION
101	1	3110453	70mm HIGH TEMP DUCT
102	2	3110455	130mm HIGH TEMP DUCT
103	1		HUMIDISTAT
104	1	1050014	INLET DUCT ADAPTOR PLATE



 BISHOP AUCKLAND Co. DURHAM ENGLAND	TITLE		DD300 INSTALLATION	
	MATERIAL		DRAWN: W DAGLISH	
3RD ANGLE PROJECTION  DO NOT SCALE IF IN DOUBT ASK	DIMENSIONS IN m.m. TOLERANCES UNLESS OTHERWISE STATED		CAD SCALE: 1/5	
	FINISH		DRG.NO.	
D. ± 1 0.0 ± 0.25 0.00 ± 0.05 ANGULAR ± 0.5 DEGREE		MATERIAL N/A FINISH N/A		SHEET 3 OF 3
		1050100		